

# ELMARK PENDANTS

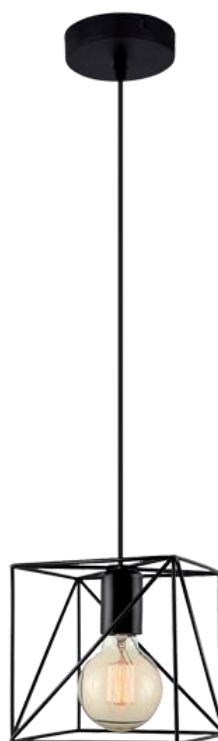
JILL



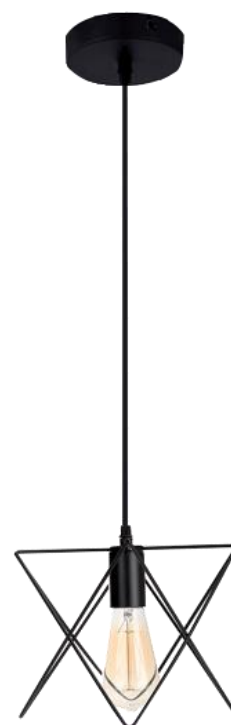
TARA



IDA



TERI



## GENERAL INFORMATION »

- ∴ Nominal voltage: 230V/ 50-60Hz
- ∴ Lamp holder: E27
- ∴ Colour body: Black
- ∴ Material: Metal
- ∴ Lamps Not Included, Max 40W
- ∴ IP Rate: IP20

# TECHNICAL SPECIFICATION SHEET

## FEATURES »

- ∴ Environmentally friendly - no mercury and lead
- ∴ Modern design
- ∴ No ultraviolet and infrared rays
- ∴ Resistant to shock and vibration stable body
- ∴ Low heat emission

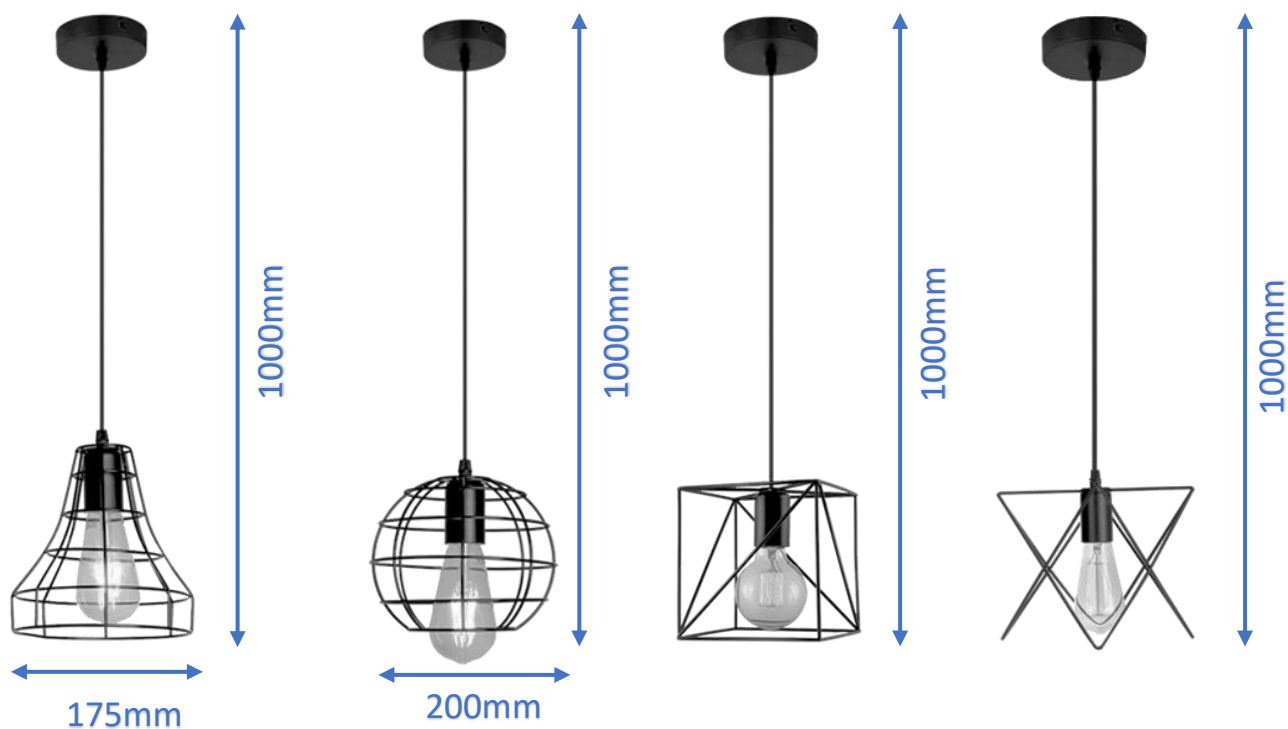
## AREAS OF APPLICATION »

- ∴ Domestic applications
- ∴ Home interior
- ∴ General illumination

## PRODUCT DETAILS »

Catalogue number	Description	Colour	Lampholder
955JILL1/BL	Pendant	Black	1xE27
955TARA1/BL	Pendant	Black	1xE27
955IDA1/BL	Pendant	Black	1xE27
955TERI1/BL	Pendant	Black	1xE27

## DIMENSIONS »




# TECHNICAL SPECIFICATION SHEET

---


## ADDITIONAL INFORMATION »


**E**  
**ELMARK**  
*lighting*

JILL

 This luminaire is compatible with bulbs of the energy classes:

A++  
A+  
A  
B  
C  
D  
E



874/2012 

Catalogue number	Barcode	Packing/Box (pcs)
955JILL1/BL	3800131231895	1/50
955TARA1/BL	3800131231901	1/50
955IDA1/BL	3800131231918	1/50
955TER1/BL	3800131231925	1/50

